

# GRAVELY



TRACTOR DIVISION  
**Studebaker**  
CORPORATION

## ILLUSTRATED Parts List PRINTED IN U. S. A.

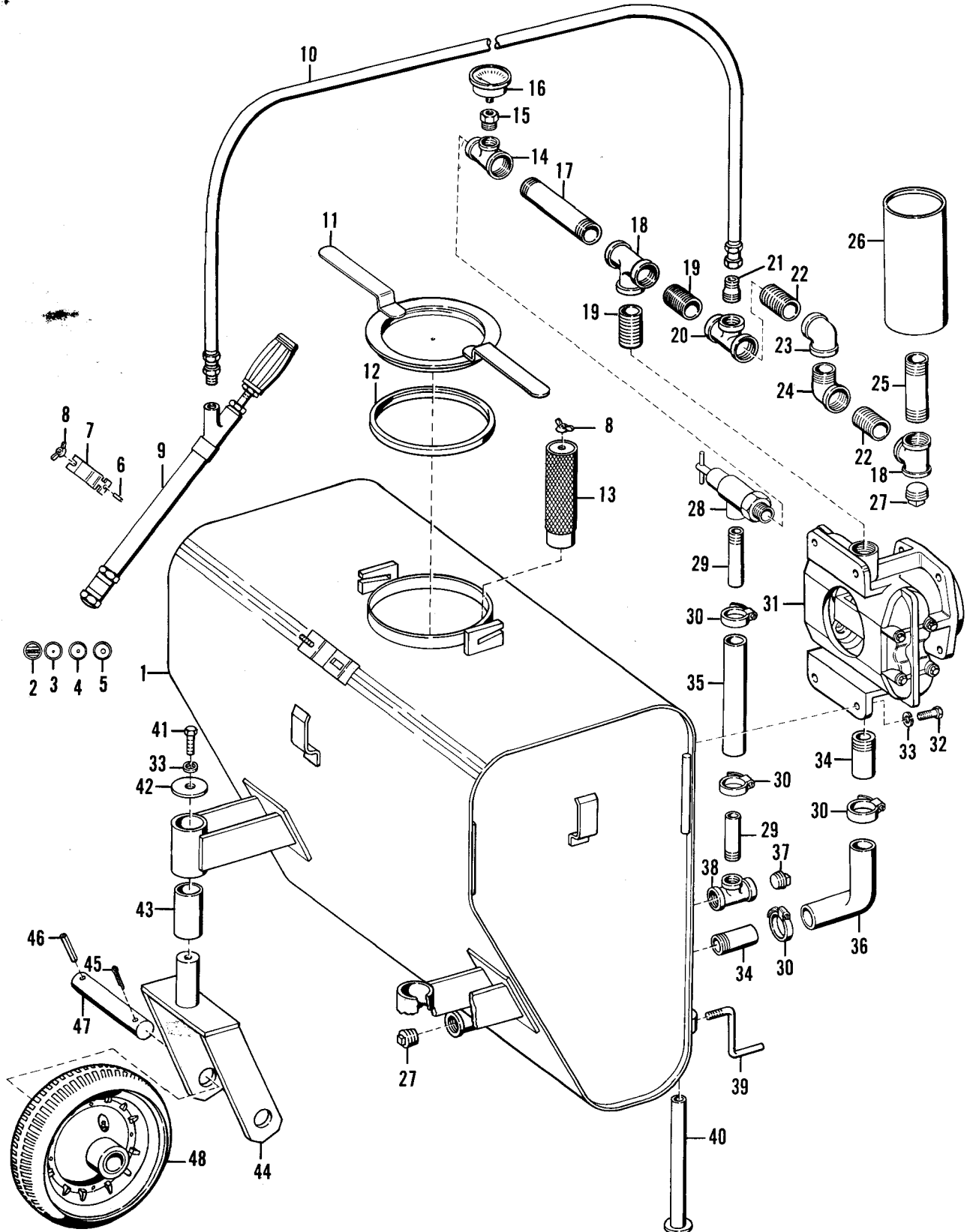
# 20 GAL. SPRAYER

Model Nr. \_\_\_\_\_

Effective Date: Rev. 9-8-64

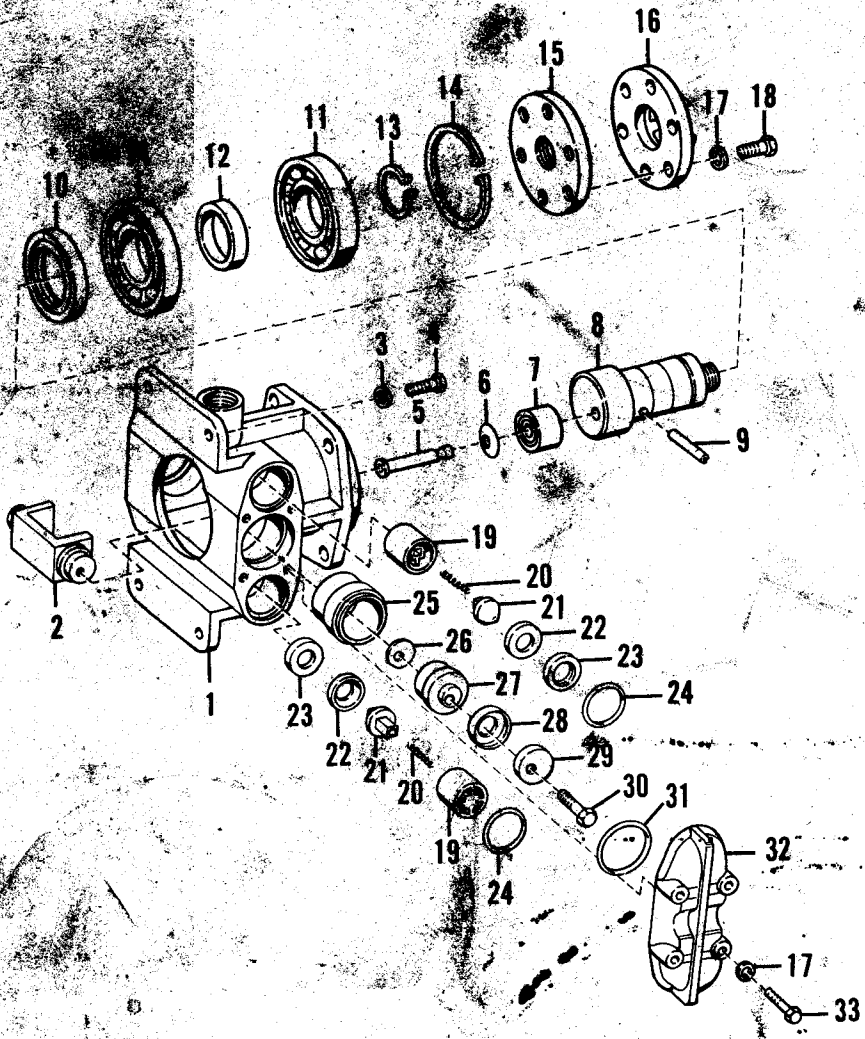
Form Number: PL-105

To continue its program of quality and design improvement, the manufacturer reserves the right to change specifications, designs or prices without notice and without incurring obligation.



# 20-GALLON SPRAYER

Item No.	Part No.	Description
1	6019	Tank
2	6047	T Jet
3	6050	Orifice D-2
4	6049	Orifice D-4
5	6048	Orifice D-6
6	6041	Roll Pin
7	6024	Tank Gun Clamp
8	L-819-F	Wing Nut
9	SA-129	Gun Jet
10	6026	Pressure Hose
11	6028	Tank Cap Weldment
12	6023	Cap Gasket
13	6030	Strainer
14	6039	Pipe Tee 3/4 X 1/2 X 1/2
15	6038	1/2 to 1/8 Bushing Mal. Iron Fitting
16	6034	0-500 PSI Water Pressure Gage
17	6040	3/4 X 5 Lg. Nipple
18	6036	3/4 Tee
19	6031	3/4 Close Nipple
20	6054	3/4 X 3/4 X 1/2 Tee
21	6037	1/2 X 3/8 Reducing Nipple
22	6086	3/4 X 1 1/2 Close Nipple
23	6044	3/4 Ell
24	6085	3/4 Street Ell Mal. Iron
25	6087	3/4 X 3 Lg. Nipple
26	6029	Air Chamber
27	703-P	3/4 Pipe Plug
28	6035	Sprayer System Pressure Relief Valve
29	6022	Pressure Relief Pipe
30	6055	Hose Clamp
31	SA-101	Piston Pump
32	110-S	Hex. Hd. Cap Screw
33	305-W	Lock Washer
34	6021	Intake Line Pipe
35	6025	Pressure Relief Hose
36	6020	Intake Hose
37	702-P	1/2 Plug
38	6046	1/2 Tee
39	A-482/3	Sprayer Stand Adj. Handle
40	6027	Sprayer Tank Stand
41	121-S	Caster Bolt
42	6053	Caster Washer
43	6052	Caster Bearing
44	PB-112	Caster Fork
45	603-C	Cotter Pin
46	HE-109	Roll Pin
47	PB-116	Caster Axle
48	6033	Caster Wheel Complete



## PISTON PUMP HOUSING

Item No.	Part No.	Description
1	6001	Piston Pump Housing
2	6011	Connecting Rod
3	305-W	Lock Washer
4	110-S	Pump Bolts
5	6003	Bearing Pin
6	310-W	Cupped Spring Washer
7	RB-108	Bearing
8	6002	Drive Shaft
9	8-RP-20	Roll Pin
10	OS-114	Oil Seal
11	BB-113	Bearing-ND 3209
12	6005	Bearing Spacer
13	RR-114	Snap Ring
14	RR-209	Snap Ring
15	6004	Back-up Drive Plate
16	SC-30	Safety Clutch Dog Plate
17	304-W	Spring Lock Washer
18	126-S	Hex. Hd. Cap Screw
19	6012	Valve Guide
20	6017	Valve Spring
21	6008	Poppet
22	6013	Valve Seat
23	6014	Retaining Ring
24	6016	"O" Ring
25	6006	Cylinder Sleeve
26	6056	Piston Gasket
27	6010	Back-up Plate
28	6018	Piston Cup
29	6009	Piston Follower
30	6-C-11	Cap Screw
31	6015	"O" Ring
32	6007	Pump Cap
33	154-S	Hex. Hd. Cap Screw